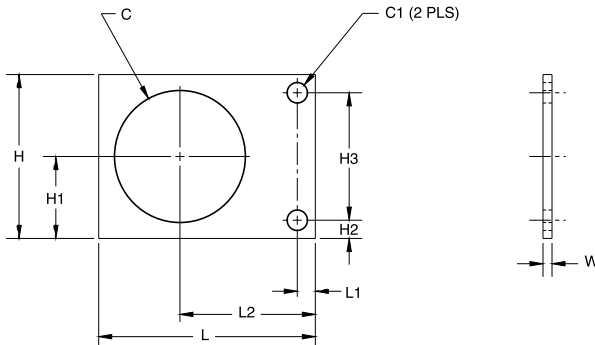


RoughDeck™ Scale Base Mounting Plates

Standard Features

- Secures RoughDecks and other popular floor scales
- Prevents movement in horizontal plane
- Useful with SUREFOOT and other load cell foot assemblies
- Available in stainless steel and mild steel

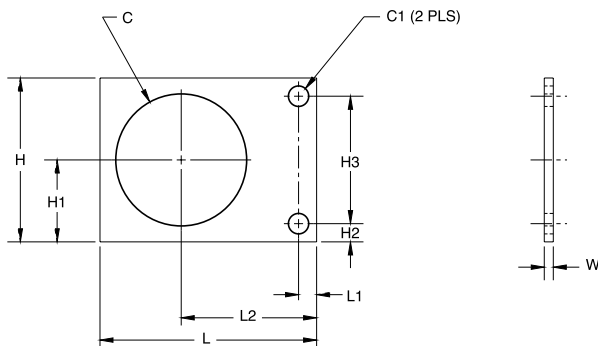


PART #	MTL.	DIMENSIONS - INCHES (MM)										SUG LIST
		C	C1	H	H1	H2	H3	L	L1	L2	W	
19075	MS	3.62 (91.9)	0.56 (14.2)	4.50 (114.3)	2.25 (57.2)	0.50 (12.7)	3.50 (88.9)	6.00 (152.4)	0.50 (12.7)	3.75 (95.3)	0.25 (6.4)	
19076	SS	3.62 (91.9)	0.56 (14.2)	4.50 (114.3)	2.25 (57.2)	0.50 (12.7)	3.50 (88.9)	6.00 (152.4)	0.50 (12.7)	3.75 (95.3)	0.25 (6.4)	
40590	MS	4.62 (117.3)	0.84 (21.3)	5.50 (139.7)	2.75 (69.85)	1.00 (25.4)	3.50 (88.9)	8.00 (203.2)	1.00 (25.4)	6.25 (158.7)	0.31 (6.4)	
40591	MS	5.62 (142.7)	0.84 (21.3)	6.50 (165.1)	3.25 (82.5)	1.00 (25.4)	4.50 (114.3)	8.50 (215.9)	1.00 (25.4)	6.25 (158.7)	0.38 (9.6)	

DIGI® Summit 3000 Scale Base Mounting Plates

Standard Features

- Mounting plate for Summit 3000 floor scales
- Mild steel painted gray



PART #	MTL.	DIMENSIONS - INCHES (MM)										LIST
		C	C1	H	H1	H2	H3	L	L1	L2	W	
76149	MS	3.19 (81.0)	0.56 (14.2)	4.50 (114.3)	2.25 (57.2)	0.50 (12.7)	3.50 (88.9)	6.00 (152.4)	0.50 (12.7)	3.75 (95.3)	0.25 (6.4)	